

XREF NO. 1:	
XREF NO. 2:	
XREF NO. 3:	
REVISIONS:	
NO.	DESCRIPTION
DATE	

Terry K. Orf, AIA
Tx. License 13553

NOT FOR REGULATORY
APPROVAL, PERMITTING
OR CONSTRUCTION

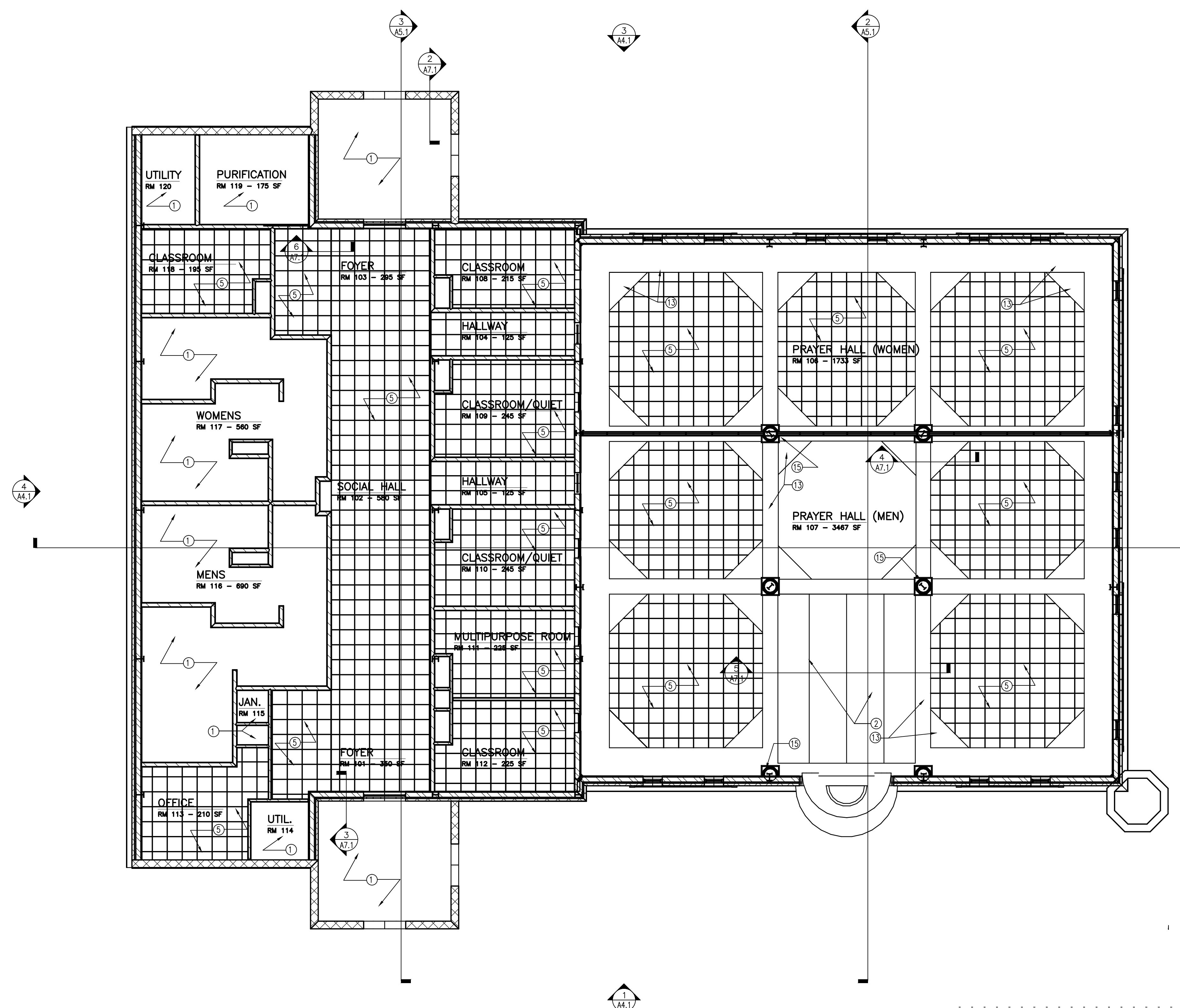
Project Title:
Mosque: Islamic Society of Southern Tx.
7341 McArchie Road
Corpus Christi, Texas 78412

Sheet Title:
REFLECTED CEILING

Drawn by: TKO
Approved by: AS NOTED
Scale: AS NOTED
Date: 10/31/15
CAD File:
Project No.: 2015-009

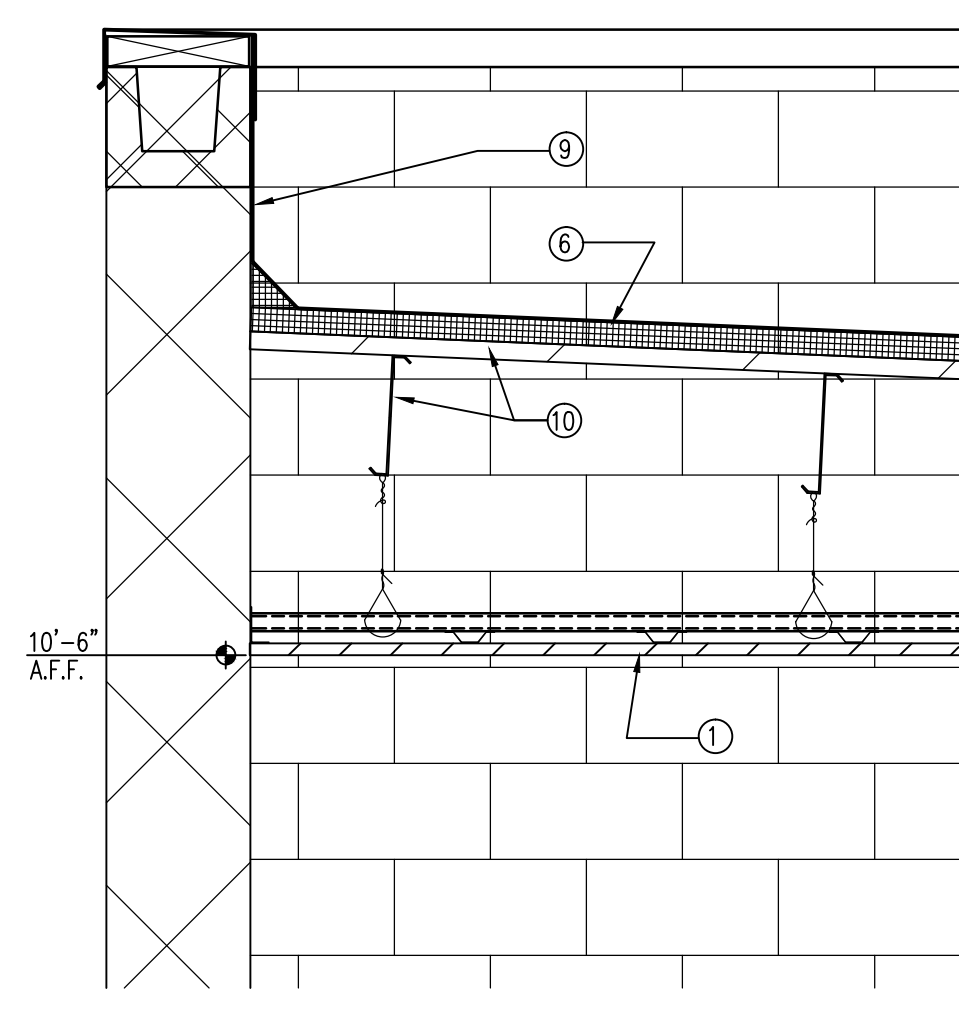
Sheet Number:
A-7.1

ArchitectTKO
3000 E. Beasley Avenue
Austin, Texas 78746
Phone: (512) 452-0000
Mobile: (512) 452-0001
Fax: (512) 452-0002

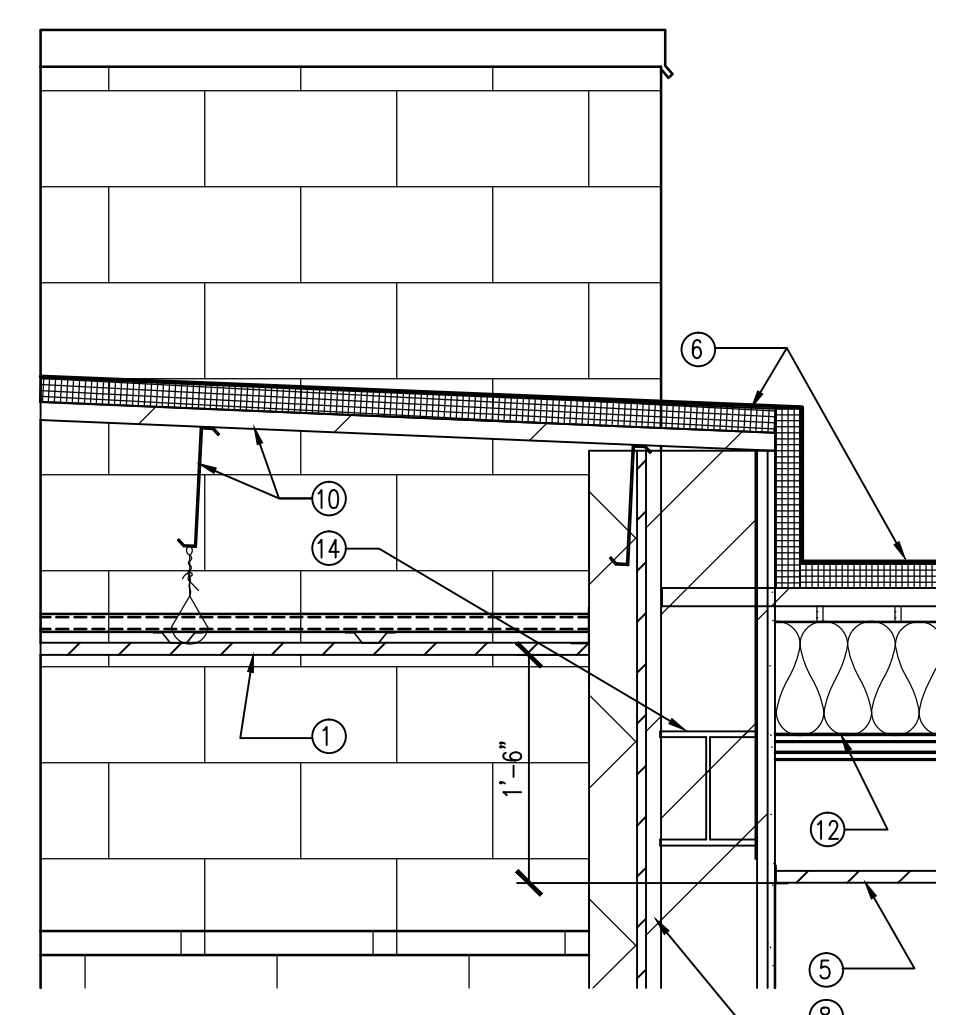


1 REFLECTED CEILING PLAN
SCALE: 1/8" = 1'-0"

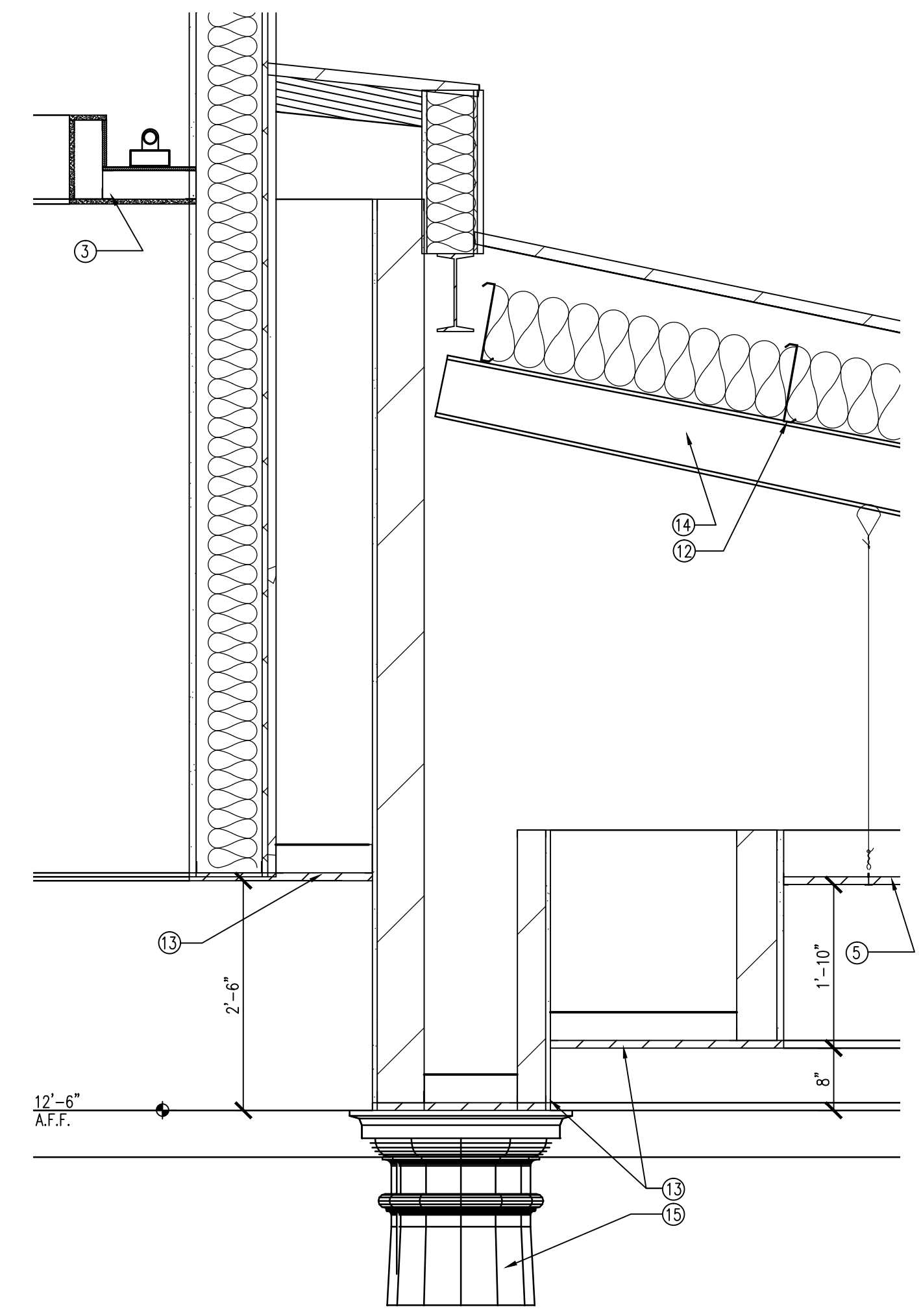
- CEILING CONSTRUCTION KEY NOTES**
- 5/8" EXTERIOR GYPSUM BOARD CEILING ON 7/8" HAT CHANNELS @ 16" O.C. & 1 1/2" COLD ROLLED CHANNELS @ 4'-0" O.C. W/ HANGER WIRES
 - 3 LAYERS 1/4" GYPSUM BOARD CEILING ON 7/8" HAT CHANNELS @ 16" O.C. & 1 1/2" COLD ROLLED CHANNELS @ 4'-0" O.C. W HANGER WIRES
 - CONTINUOUS FLUORESCENT LIGHT FIXTURE IN COVE OF 3 5/8" METAL FRAMING @ 16" O.C. W/1/2" PLYWOOD INSIDE & 5/8" GYPSUM BOARD
 - STEEL BEAM & COLUMN BY METAL BUILDING MANUFACTURER
 - 2 X 2 ACOUSTICAL GRID CEILING SYSTEM HUNG FROM STRUCTURE ABOVE
 - 60 MIL TPO ROOF OVER 2" POLYISO ROOF INSULATION & BASE BOARD ON METAL ROOF DECK BY METAL BLD. MANUF.
 - TRANSITION ACOUSTICAL CEILING SYSTEM DOWN 1'-6"
 - 4" MASONRY VENEER & 1" AIRSPACE OVER WATERPROOF MEMBRANE ON METAL BUILDING PANEL & 8" METAL PURLINS W/7/8" HAT CHANNELS @ 16" O.C. VERTICAL & 5/8" GYPSUM WALL BOARD (FULL BATT INSUL.) ROOF MEMBRANE FULLY ADHERED TO PARAPET WALL & TERMINATED OVER TOP OF WALL UNDER CAP FLASHING
 - 8" GALVANIZED Z" PURLINS W/METAL DECK BY METAL BUILDING MANUF.
 - STANDING SEAM METAL ROOF PANELS BY METAL BUILDING MANUFACTURER
 - STEEL GALVANIZED Z PURLINS AND CHANNELS BY METAL BUILDING MANUFACTURER W/FULL BATT INSULATION
 - 5/8" GYPSUM BOARD CEILING & FURRED DOWN WALLS OVER 3 5/8" METAL FRAMING @ 16" O.C.
 - STEEL BENT BY METAL BUILDING MANUFACTURER
 - PRE-CAST COLUMN COVERS (DORIC STYLE)



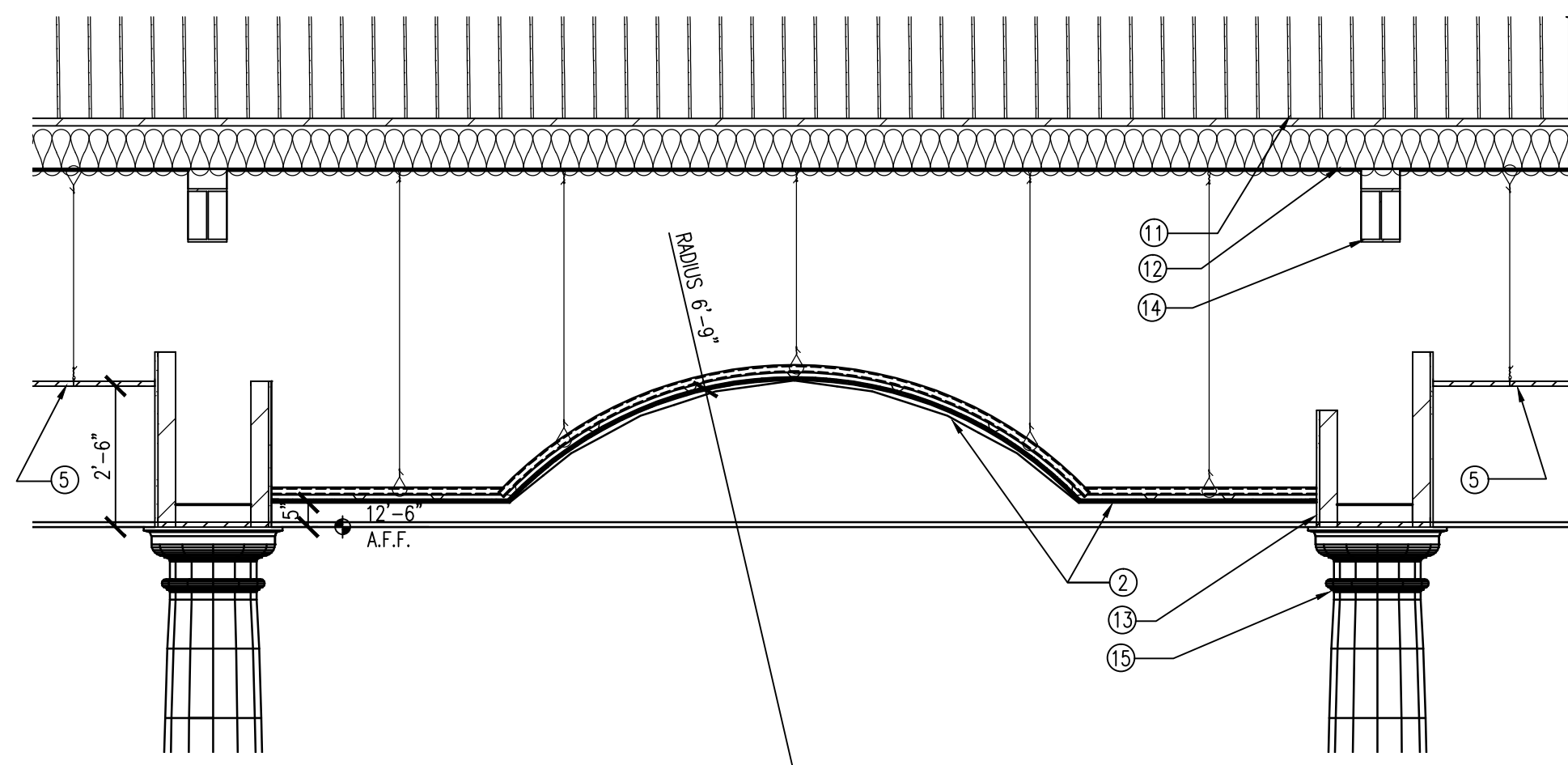
2 ENTRY CEILING DETAIL
SCALE: 3/4" = 1'-0"



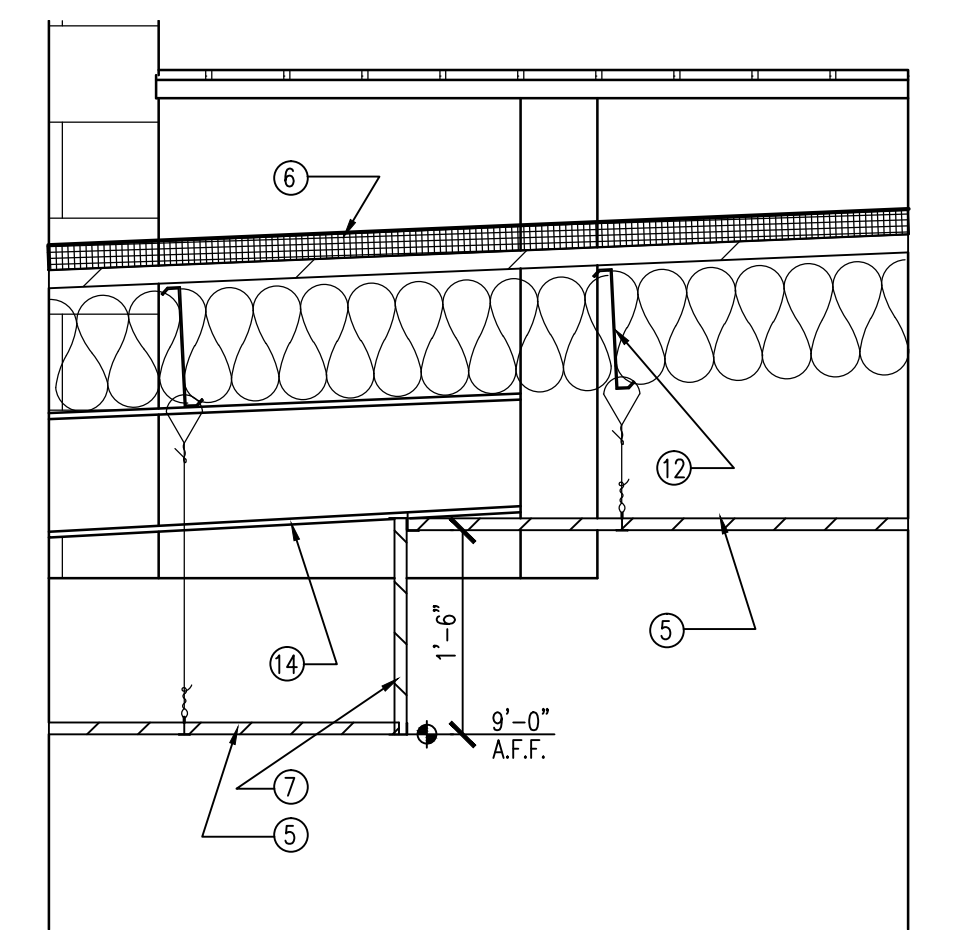
3 ENTRY CEILING DETAIL
SCALE: 3/4" = 1'-0"



4 DOME SHAFT DETAIL
SCALE: 3/4" = 1'-0"



5 BARREL VAULT CEILING DETAIL
SCALE: 3/8" = 1'-0"



6 CEILING TRANSITION DETAIL
SCALE: 3/4" = 1'-0"

ALL DIMENSIONS UNLESS OTHERWISE NOTED. ALL WORK SHALL BE IN ACCORDANCE WITH THE LATEST EDITIONS OF THE BUILDING CODES AND ALL APPLICABLE REGULATIONS. THE ARCHITECT ASSUMES NO LIABILITY FOR THE ACCURACY OF THE INFORMATION CONTAINED HEREIN. THE ARCHITECT'S RESPONSIBILITY IS LIMITED TO THE DESIGN OF THE CEILING SYSTEM. THE ARCHITECT DOES NOT WARRANT THE PERFORMANCE OF ANY OTHER TRADES OR PROFESSIONS. THE ARCHITECT'S DESIGN SHALL BE SUBJECT TO THE APPROVAL OF THE LOCAL BUILDING DEPARTMENT. THE ARCHITECT'S DESIGN SHALL BE SUBJECT TO THE APPROVAL OF THE LOCAL BUILDING DEPARTMENT. THE ARCHITECT'S DESIGN SHALL BE SUBJECT TO THE APPROVAL OF THE LOCAL BUILDING DEPARTMENT.